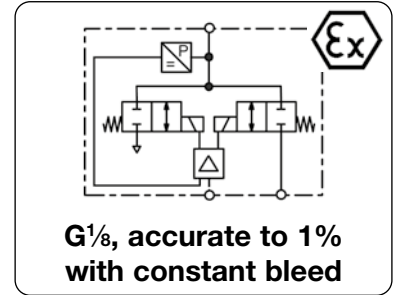


<b>Description</b>	Piezo-operated proportional pressure regulator with closed loop in a two-wire system. Outlet pressure is proportional to an electrical input signal. The valve can be mounted in any position and is immune to shock or vibration. It is pilot-controlled to reach a higher flow rate.	
<b>Media</b>	lubricated or unlubricated and 50 µm filtered compressed air or non-corrosive gases	
<b>Supply voltage</b>	not necessary due to two-wire system (supply through 4...20 mA command signal)	
<b>Electrical connector</b>	coupling socket, 4-pin according to DIN 43651, size 15 x 15 mm	connector turnable in 90° steps
<b>ATEX classification</b>	Compliance with directive 2014/34/EU for use in potentially explosive atmosphere of group IIC, temperature classification T4.	Ignition protection type: II1G Ex ia IIC T4; II1D Ex D20 T135°C
<b>Power consumption</b>	< 200 mW	<b>Failsafe feature</b> exhaust at power breakdown
<b>Linearity/Hysteresis</b>	< 1% FS	<b>Repeatability</b> < 0.5% FS
<b>Mounting position</b>	any	<b>Protection class</b> IP 65
<b>Air consumption</b>	The pilot valve has an air consumption of 1.6 l/min	
<b>Temperature range</b>	Media: 0 °C to 60 °C / 32 °F to 140 °F	Ambient: 0 °C to 60 °C / 32 °F to 140 °F
<b>Material</b>	Body: aluminium and plastic	Elastomer: NBR/Buna-N and FKM
	Inner valve: stainless steel and plastic	

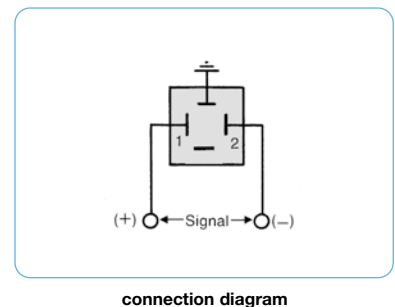
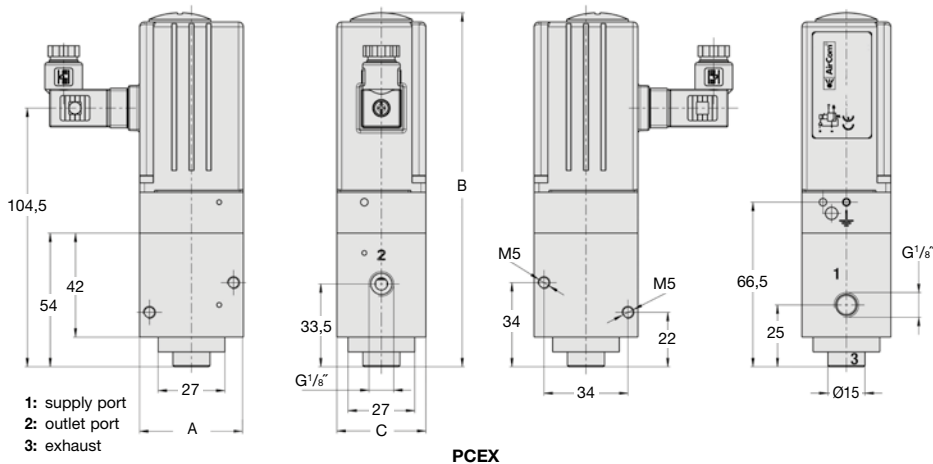
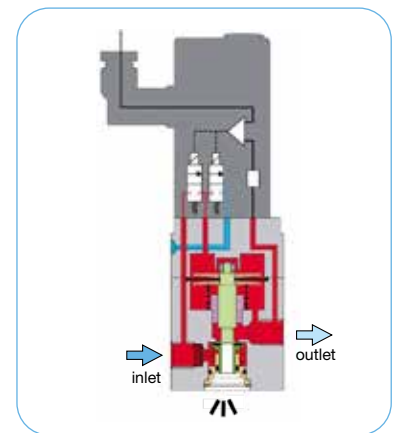


Dimensions			Nominal size	K <sub>v</sub> -value	Flow rate	Supply min./max.	Connection thread	Pressure range	Order number
A	B	C	DN	(m <sup>3</sup> /h)	l/min*1	bar	G	bar	
mm	mm	mm							E*

Proportional pressure regulator						4-20 mA input signal, ATEX with coupling socket, with constant bleed		PCEX	
42	143	36	4	0.5	550	2.5/3.0	G <sup>1</sup> / <sub>8</sub>	0...2	<b>PCEX-02</b>
						3.5/5.0		0...3	<b>PCEX-03</b>
						4.5/6.0		0...4	<b>PCEX-04</b>
						5.5/8.0		0...5	<b>PCEX-05</b>
						6.5/8.0		0...6	<b>PCEX-06</b>



PCEX



\*1 at 6 bar supply pressure, 5 bar outlet pressure, equal exhaust forward flow

\* Product group

